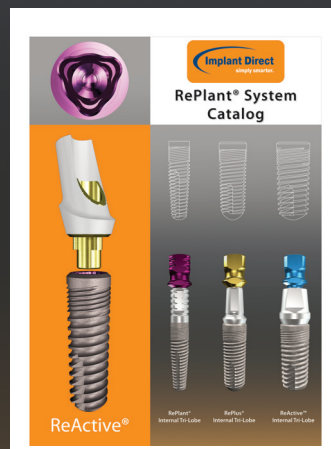




Transforming the Implant Industry

Broadest Product Line
Highest Quality-Best Value

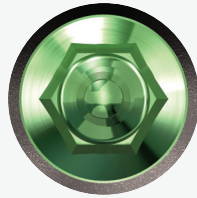


System Overview

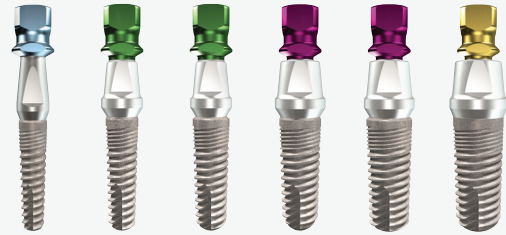
Table of Contents



Legacy™ System
pages 2-5



Compatible with
Zimmer Screw-Vent®



Legacy3 3.2/3.0 Legacy3 3.7/3.5 Legacy3 4.2/3.5 Legacy3 4.7/4.5 Legacy3 5.2/4.5 Legacy3 5.7/5.7

Legacy3 implants with progressively deeper threads
Packaging includes cover screw, healing collar, transfer and abutment

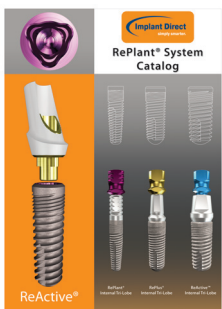


Spectra-System™
pages 6-9



ScrewPlant® ScrewPlus® ScrewDirect® ScrewIndirect® GoDirect™ ScrewRedirect®

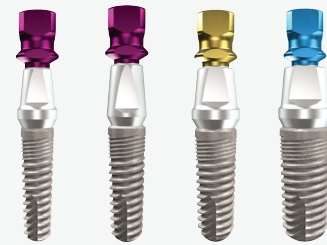
Application specific one- and two-piece implants with All-in-One packaging
Same implant body and surgical protocol for all six implants



Tri-Lobe System
pages 10-13



Compatible with
Nobel Biocare™



ReActive 3.7/3.5 ReActive 4.2/3.5 ReActive 4.7/4.3 ReActive 5.7/5.0

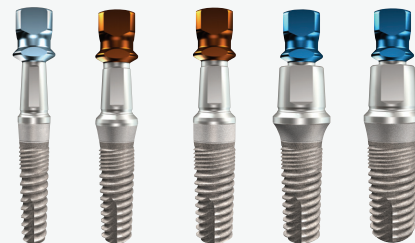
ReActive® implants with progressively deeper threads
Packaging includes cover screw, transfer and abutment



Swish™ System
pages 14-17



Compatible[†] with
Straumann®



SwishPlant 3.3/3.7 SwishPlant 4.1/4.8 SwishPlant 4.8/4.8 SwishPlant 4.8/6.5 SwishPlant 5.7/6.5

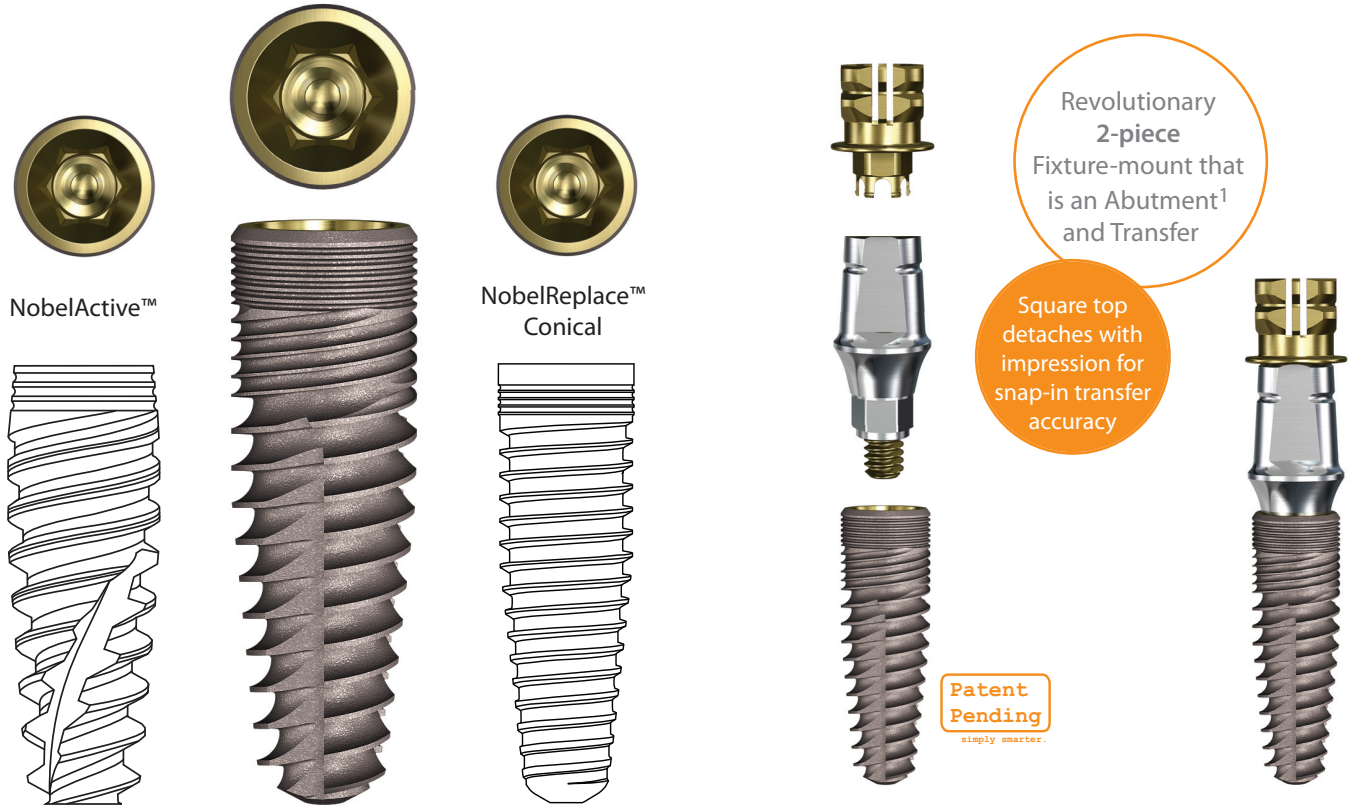
SwishPlant implants with progressively deeper threads
Packaging includes cover screw, healing collar, transfer and abutment

InterActive Implant Coming Q3 of 2012

Evolution of Dr. Niznick's Internal 45° Conical Connection Implant (US Pat. #4,960,381):

Screw-Vent (1986), Tapered Screw-Vent (1999), Legacy1 (2007), Legacy2 & 3 (2009), InterActive (2012)

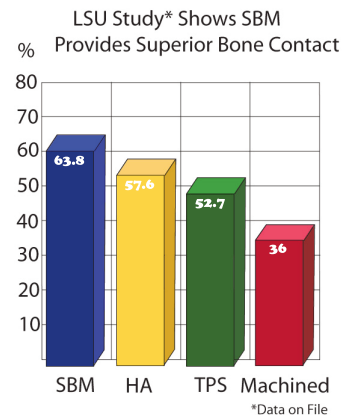
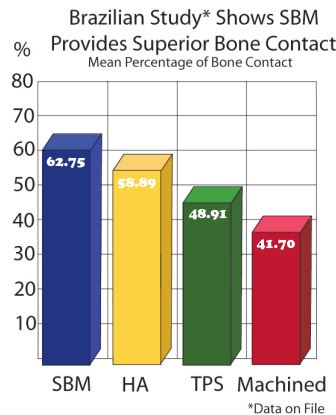
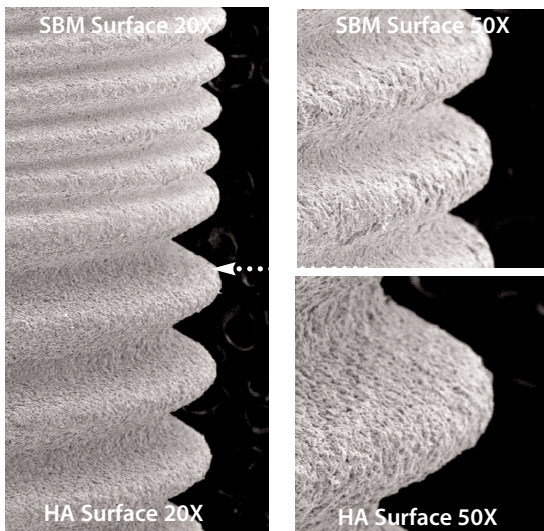
Unique Features: Micro-grooves, micro-threads, internal hex/bevel connection compatible with NobelActive and NobelReplace conical connections, and a surgical protocol compatible with NobelReplace, Zimmer Screw-Vent and Legacy drills.



SBM and HA surfaces with 18 years of documented clinical success

The SBM surface is created by using a Soluble Blast Media of Hydroxylapatite (HA) crystals to create a medium-rough texture. We use the same vendor for SBM and HA coated surface treatments as was used by Paragon Implant Company since 1992 when these studies were conducted.

SEMs of Surfaces



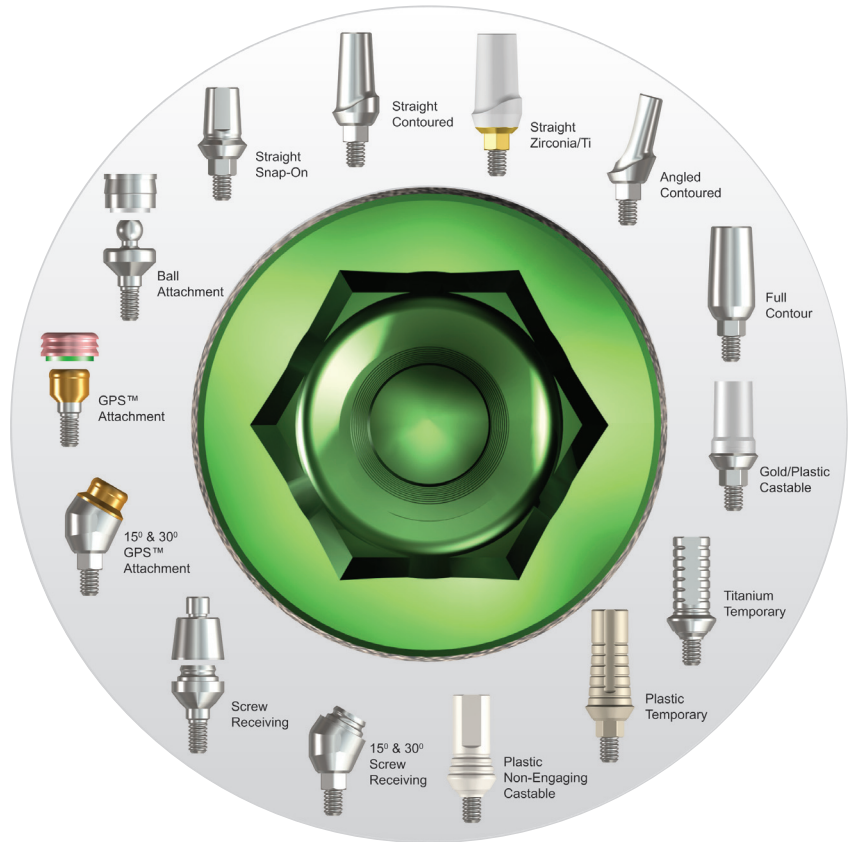
Animal Studies Bone Response to SBM Surface



¹Shorten fixture-mount at line to function as an abutment



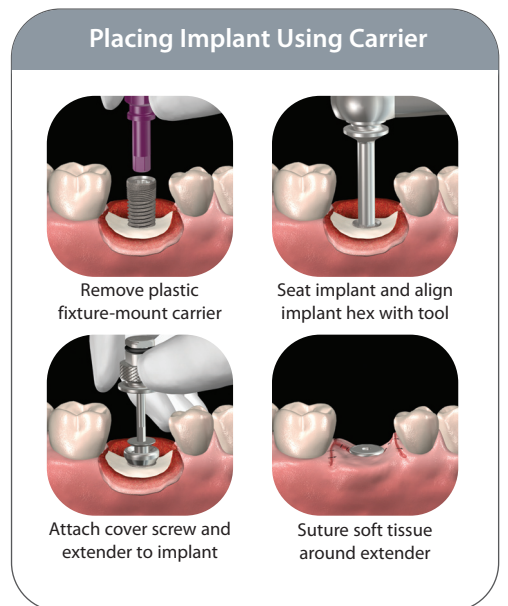
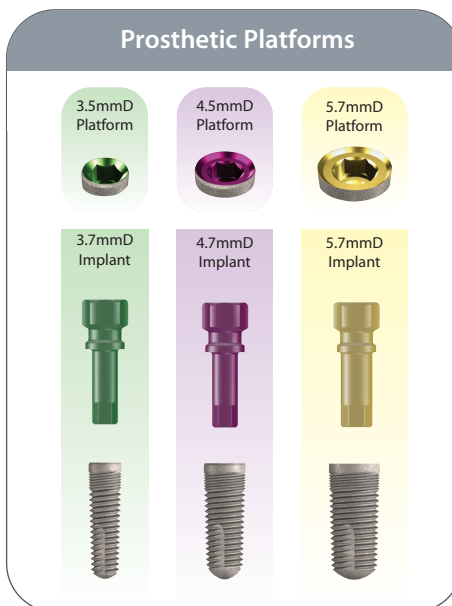
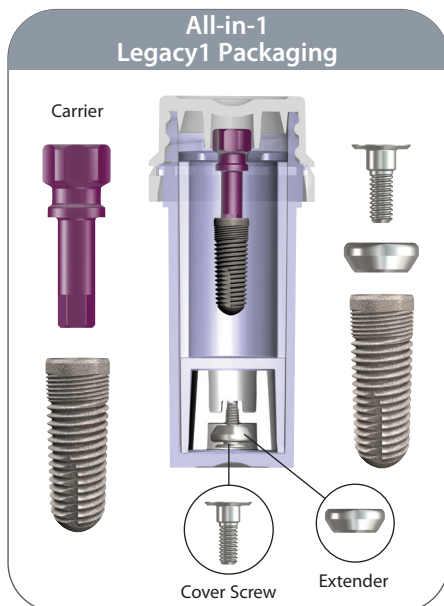
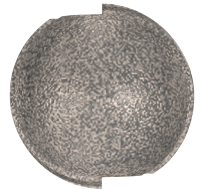
Legacy System and prosthetic options



Legacy1 Implant

Compatible with Zimmer Dental Tapered Screw-Vent System

- **Connection:** Color-coded internal hex with lead-in bevel
- **Surface:** SBM (Soluble Blast Media) and HA coating
- **Surgical Instruments:** Spectra-System surgical kit
- **Implant Packaging:** Includes cover screw and 2mm healing collar
- **Implant Lengths:** 8/10/11.5/13/16mm. Even taper with two cutting grooves halfway up implant
- **Implant Threads:** Micro-threads with double-lead standard "V" threads



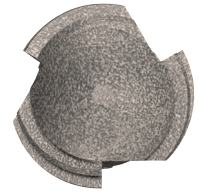


Legacy System

Legacy2 Implant

Compatible with Zimmer Dental Tapered Screw-Vent System

- **Connection:** Color-coded internal hex with lead-in bevel
- **Surface:** SBM (Soluble Blast Media) and HA coating
- **Surgical Instruments:** Spectra-System surgical kit
- **Implant Packaging:** Includes cover screw, 2mm healing collar, transfer and titanium temporary abutment
- **Implant Lengths:** 8/10/11.5/13/16mm. Top 1/3 is straight with tapered section having three cutting grooves
- **Implant Threads:** Micro-threads with double-lead progressively deeper spiral threads



All-in-1 Legacy2 Packaging

Fixture-Mount Transfer

Cover Screw Extender

Prosthetic Platforms

3.5mmD Platform	3.5mmD Platform	4.5mmD Platform	5.7mmD Platform	5.7mmD Platform
3.7mmD Implant	4.2mmD Implant	4.7mmD Implant	5.7mmD Implant	7.0mmD Implant

Placing Carrier/Transfers & Making Impressions

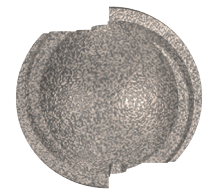
Color-coded titanium fixture-mount carrier Align flat to labial for indexing of hex

Fixture-mount is screw-retained Use fixture-mount as closed tray transfer

Legacy3 Implant

Compatible with Zimmer Dental Tapered Screw-Vent System

- **Connection:** Color-coded internal hex with lead-in bevel
- **Surface:** SBM (Soluble Blast Media) and HA coating
- **Surgical Instruments:** Spectra-System surgical kit
- **Implant Packaging:** Includes cover screw, 2mm healing collar, transfer and titanium abutment
- **Implant Lengths:** 6/8/10/11.5/13/16mm. Even taper with two cutting grooves halfway up implant
- **Implant Threads:** Micro-threads with double-lead, progressively deeper buttress threads



All-in-1 Legacy3 Packaging

Fixture-Mount Transfer

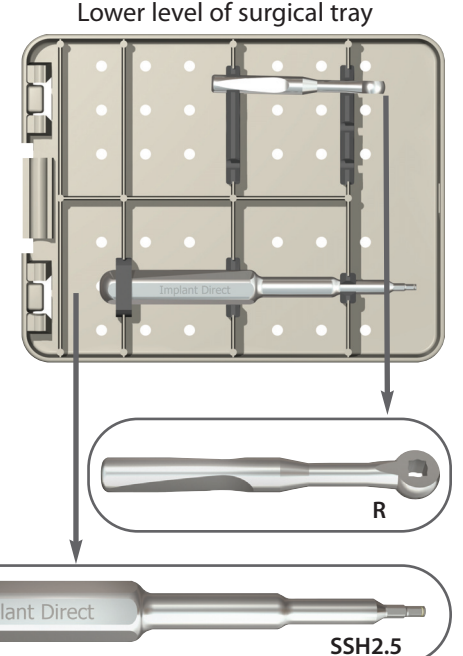
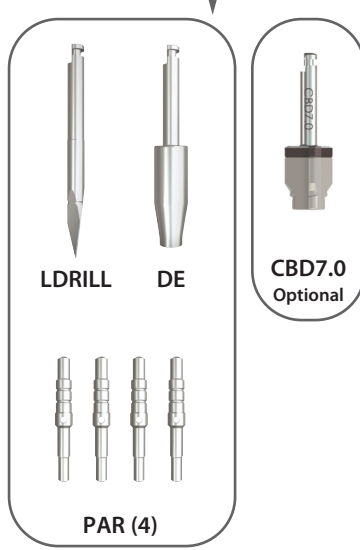
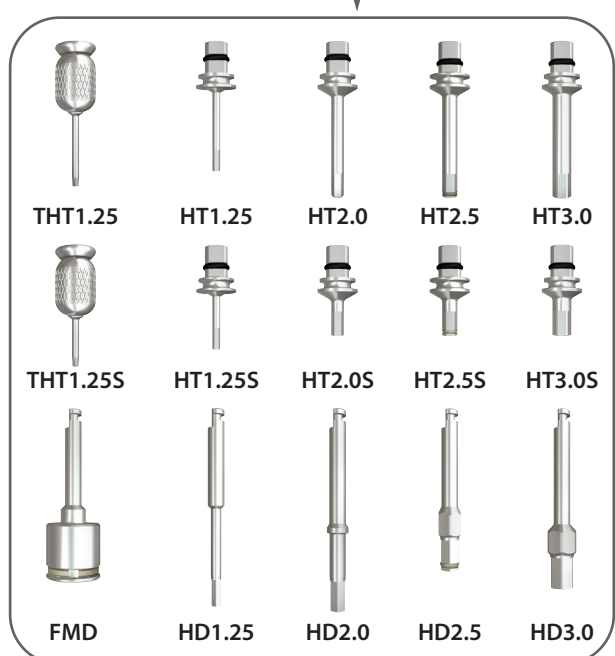
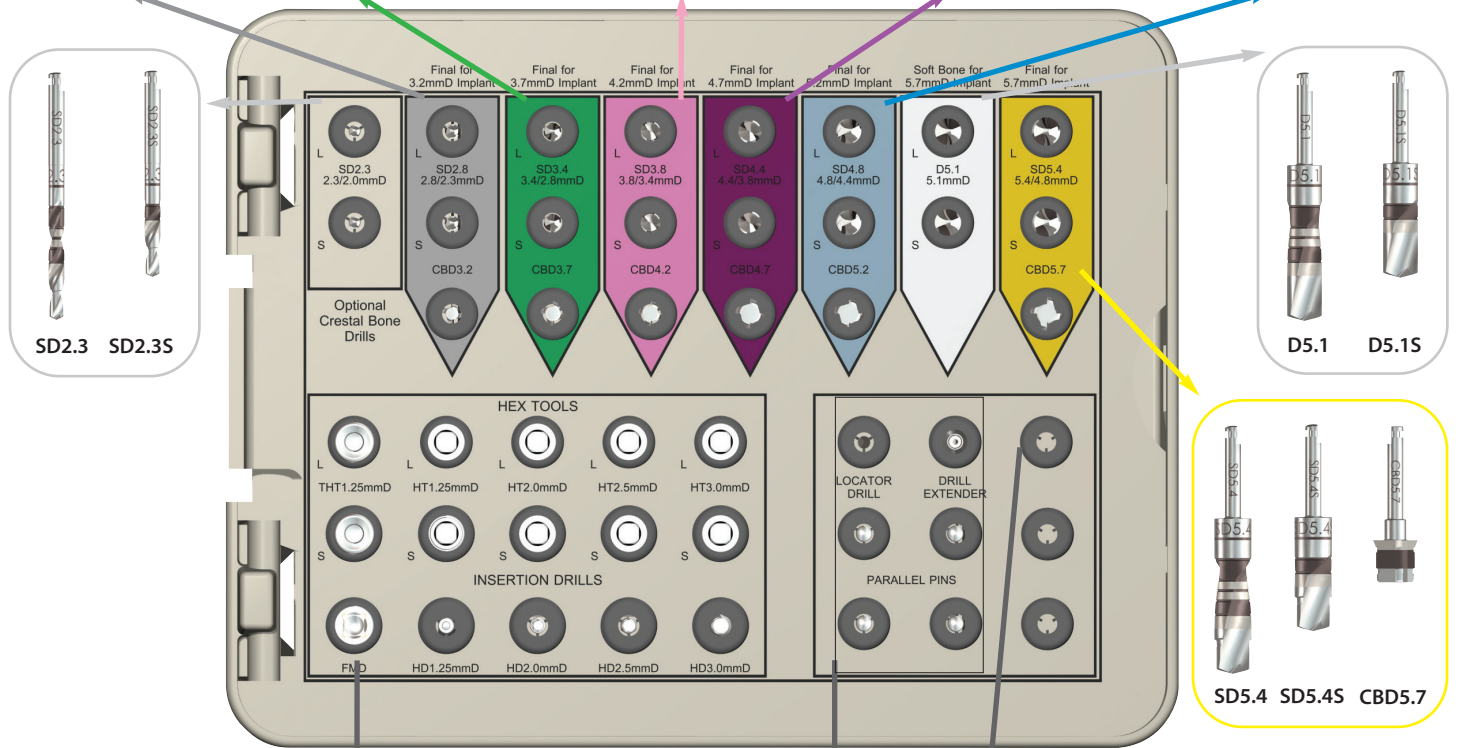
Cover Screw Extender

Prosthetic Platforms

3.0mmD Platform	3.5mmD Platform	3.5mmD Platform	4.5mmD Platform	4.5mmD Platform	5.7mmD Platform
3.2mmD Implant	3.7mmD Implant	4.2mmD Implant	4.7mmD Implant	5.2mmD Implant	5.7mmD Implant



Surgical Tray for Spectra-System, Legacy System, RePlus and ReActive Implants





Drill Sequence for Spectra-System, Legacy System, RePlus and ReActive Implants

3.2mmD Straight /Tapered Implant

3.0/3.2



Soft Bone Final



SD2.3
2.3/2.0mmD

Dense Bone Final



SD2.8
2.8/2.3mmD

Optional Bone Contour



CBD3.2

3.7mmD Straight /Tapered Implant

3.5/3.7



SD2.3
2.3/2.0mmD

Soft Bone Final



SD2.8
2.8/2.3mmD

Dense Bone Final



SD3.4
3.4/2.8mmD

Optional Bone Contour



CBD3.7

4.2mmD Straight /Tapered Implant

3.5/4.2



SD2.3
2.3/2.0mmD

Optional



SD2.8
2.8/2.3mmD

Soft Bone Final



SD3.4
3.4/2.8mmD

Dense Bone Final



SD3.8
3.8/3.4mmD

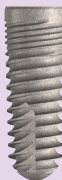
Optional Bone Contour



CBD4.2

4.7mmD Straight /Tapered Implant

4.5/4.7



SD2.3
2.3/2.0mmD

Optional



SD2.8
2.8/2.3mmD



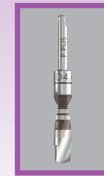
SD3.4
3.4/2.8mmD

Soft Bone Final



SD3.8
3.8/3.4mmD

Dense Bone Final



SD4.4
4.4/3.8mmD

Optional Bone Contour



CBD4.7

5.2mmD Straight /Tapered Implant

4.5/5.2



SD2.3
2.3/2.0mmD

Optional



SD2.8
2.8/2.3mmD



SD3.4
3.4/2.8mmD

Optional



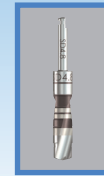
SD3.8
3.8/3.4mmD

Soft Bone Final



SD4.4
4.4/3.8mmD

Dense Bone Final



SD4.8
4.8/4.4mmD

Optional Bone Contour



CBD5.2

5.7mmD & 7.0mmD Straight /Tapered Implant

5.7/5.7

5.7/7.0



SD2.3
2.3/2.0mmD

Optional



SD2.8
2.8/2.3mmD

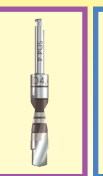


SD3.4
3.4/2.8mmD

Optional



SD3.8
3.8/3.4mmD



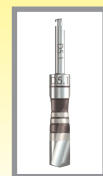
SD4.4
4.4/3.8mmD

Optional



SD4.8
4.8/4.4mmD

Soft Bone Final



D5.1
5.1mmD

Dense Bone Final



SD5.4
5.4/4.8mmD

Optional Bone Contour for 5.7mmD



CBD5.7

Optional Bone Contour for 7.0mmD



CBD7.0



Spectra-System and prosthetic options



ScrewPlant
10



ScrewPlus
20



ScrewDirect
30



ScrewIndirect
40



GoDirect
42



ScrewRedirect
50



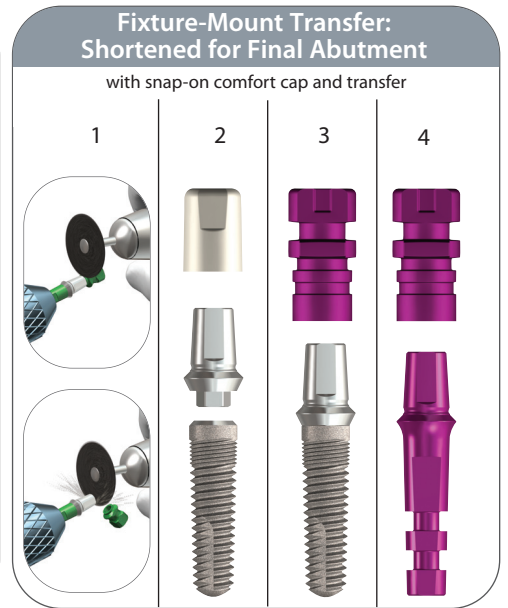
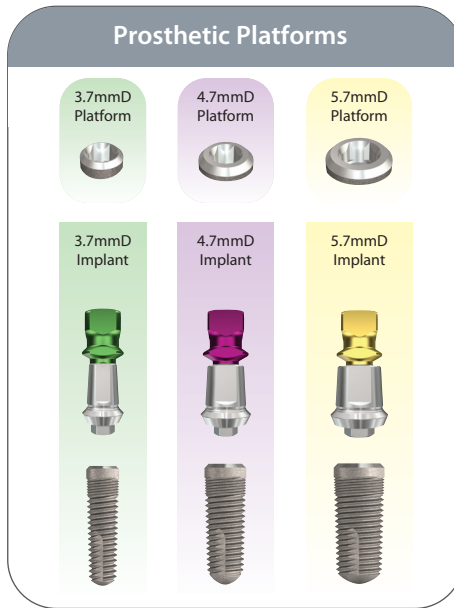
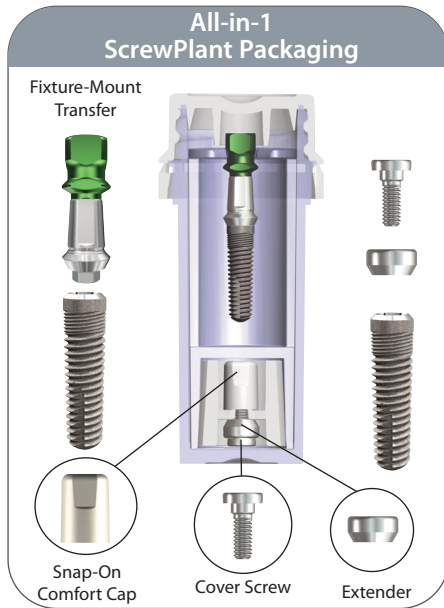


Spectra-System

ScrewPlant Implant

Two-stage bone-level implant

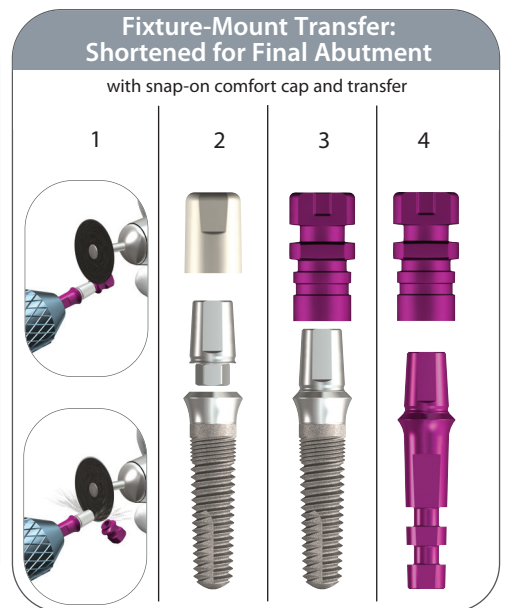
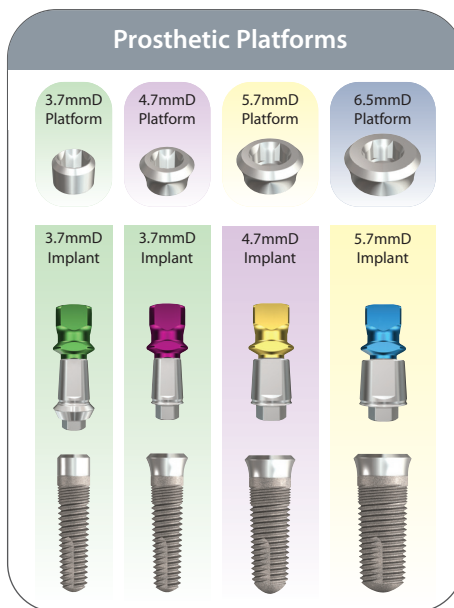
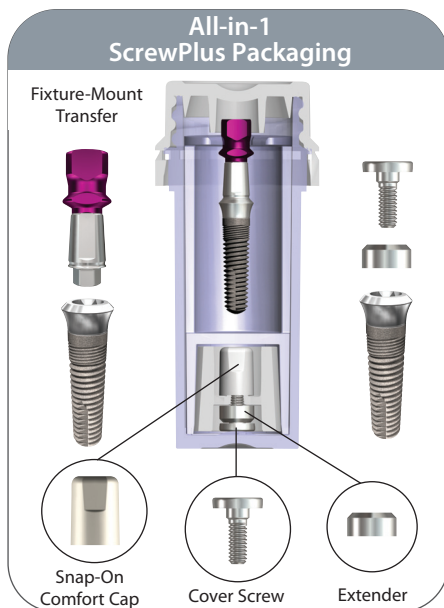
- **Connection:** Internal Hex (2mmL) with external bevel
- **Surface:** SBM (Soluble Blast Media) and HA coating
- **Surgical Instruments:** Spectra-System surgical kit
- **Implant Packaging:** Includes cover screw, 2mm healing collar, comfort cap, transfer and titanium abutment
- **Implant Lengths:** 8/10/11.5/13/16mm



ScrewPlus Implant

One-stage tissue-level implant

- **Connection:** Internal Hex (2mmL) with external bevel
- **Implant Shoulder:** 2mm in length
- **Surface:** SBM (Soluble Blast Media) and HA coating
- **Surgical Instruments:** Spectra-System surgical kit
- **Implant Packaging:** Includes cover screw, 2mm healing collar, comfort cap, transfer and titanium abutment
- **Implant Lengths:** 8/10/11.5/13/16mm





Spectra-System

ScrewDirect Implant

One-piece implant for cemented restorations

- **Connection:** One-piece implant with titanium straight abutment head
- **Implant Shoulder:** 1.5mm in length
- **Surface:** SBM (Soluble Blast Media)
- **Surgical Instruments:** Spectra-System surgical kit
- **Implant Packaging:** Includes snap-on transfer and comfort cap
- **Implant Lengths:** 10/13/16mm

All-in-1 ScrewDirect Packaging

Carrier/Transfer

Snap-On Comfort Cap

Prosthetic Platforms

3.7mmD Platform	4.7mmD Platform	5.7mmD Platform	6.5mmD Platform
3.0mmD Implant	3.7mmD Implant	4.7mmD Implant	5.7mmD Implant

Snap-On Comfort Cap and Transfer

Seat retentive snap-on comfort cap

Comfort cap maintains tissue opening

Snap-On Transfer

Seat retentive snap-on transfer

Make transfer impression for abutment analog

ScrewIndirect Implant

One-piece implant for screw retained restorations

- **Connection:** One-piece implant with screw-receiving titanium abutment head
- **Implant Shoulder:** 2.5mm in length
- **Surface:** SBM (Soluble Blast Media)
- **Surgical Instruments:** Spectra-System surgical kit
- **Implant Packaging:** Includes snap-on transfers, comfort cap and 2mm implant extender
- **Implant Lengths:** 8/10/13/16mm

All-in-1 ScrewIndirect Packaging

Carrier/Transfer

Extender

Snap-On Comfort Cap

Extender Transfer

Prosthetic Platforms

5.0mmD Platform	5.0mmD Platform	5.0mmD Platform	5.0mmD Platform
3.0mmD Implant	3.7mmD Implant	4.7mmD Implant	5.7mmD Implant

Snap-On Comfort Cap and Transfer

Seat retentive snap-on comfort caps

Seat retentive snap-on transfers

Clinical Applications

Screw-Retained Bar Overdenture

Fixed-Detachable Restoration

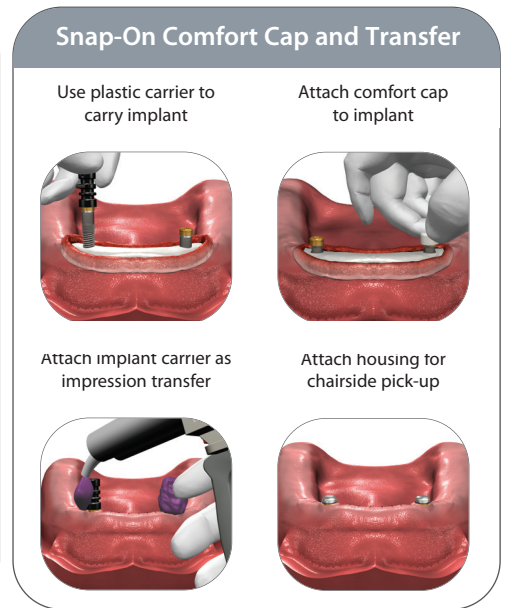
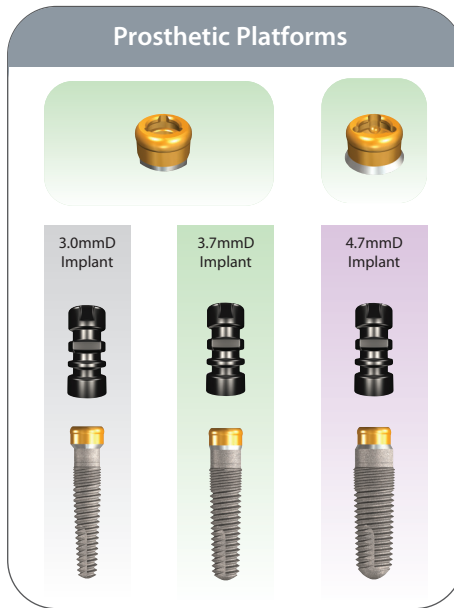
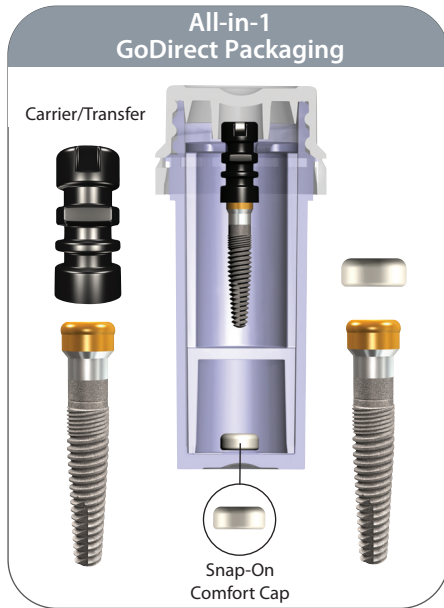


Spectra-System

GoDirect Implant

- **Connection:** Platform compatible with GPS™ Attachments and Zest Locator® Attachments*
- **Implant Shoulder:** 1.5 and 3.0mm in length
- **Surface:** SBM (Soluble Blast Media)
- **Surgical Instruments:** Spectra-System surgical kit
- **Implant Packaging:** Includes snap-on transfer and comfort cap
- **Implant Lengths:** 8/10/11.5/13mm

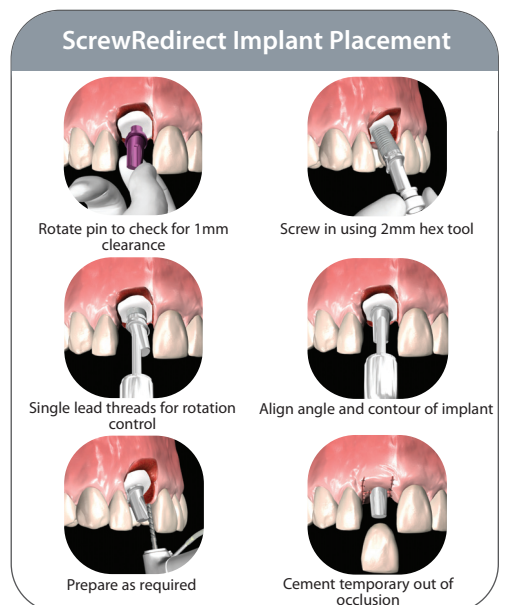
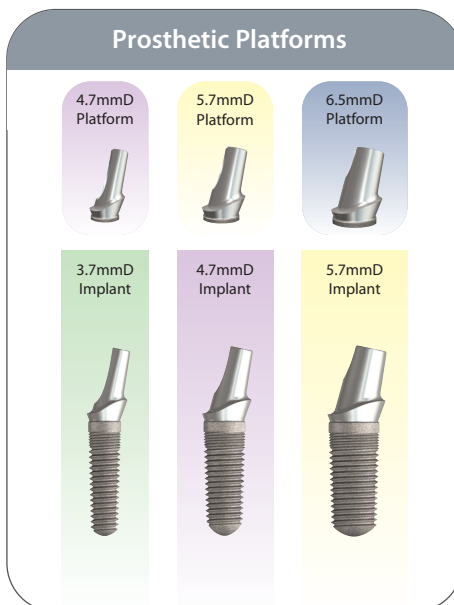
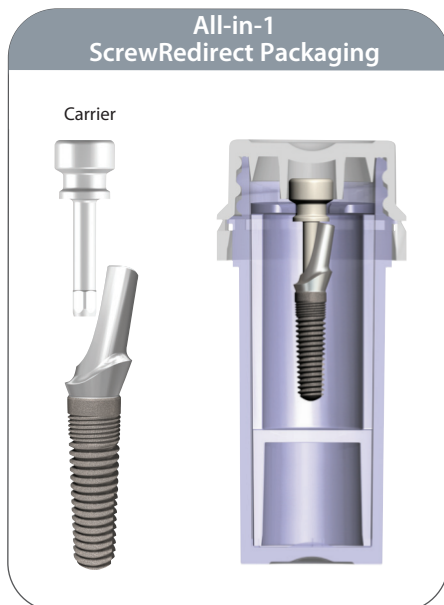
*Locator® is a registered trademark of Zest Anchors Company. The GoDirect™ and GPS™ Systems are neither authorized, endorsed nor sponsored by Zest Anchors Co.



ScrewRedirect Implant

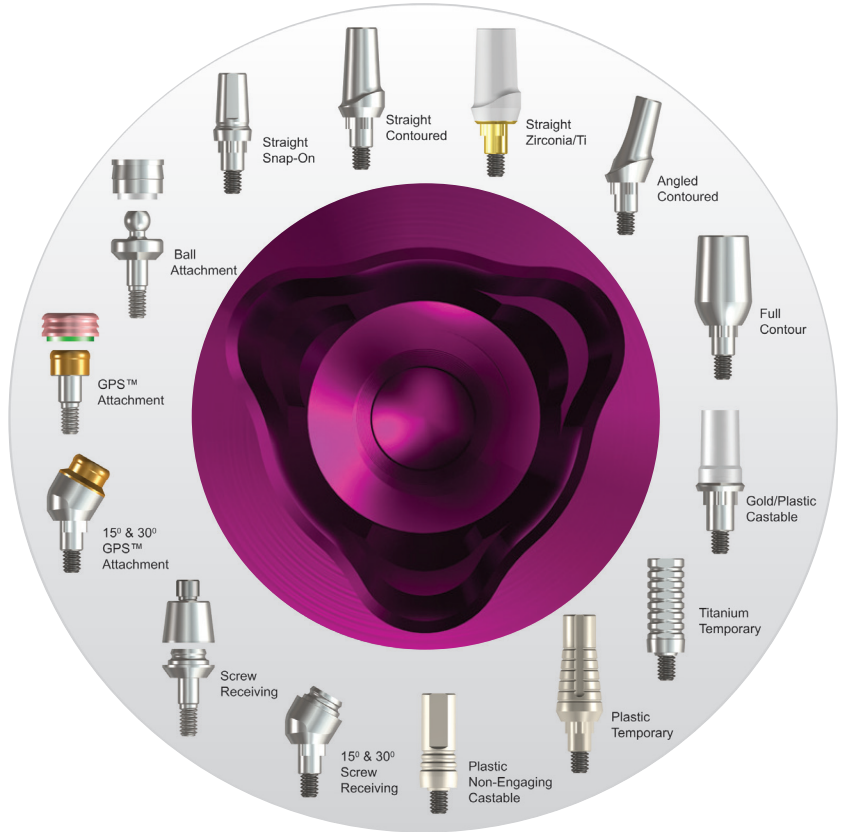
One-piece implant for anterior restorations

- **Connection:** One-piece implant with titanium angled abutment head (12°)
- **Surface:** SBM (Soluble Blast Media)
- **Surgical Instruments:** Spectra-System surgical kit
- **Implant Packaging:** Includes carrier
- **Implant Lengths:** 13/16mm





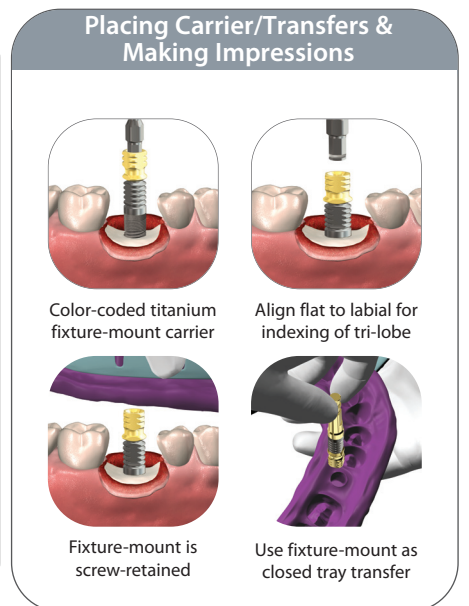
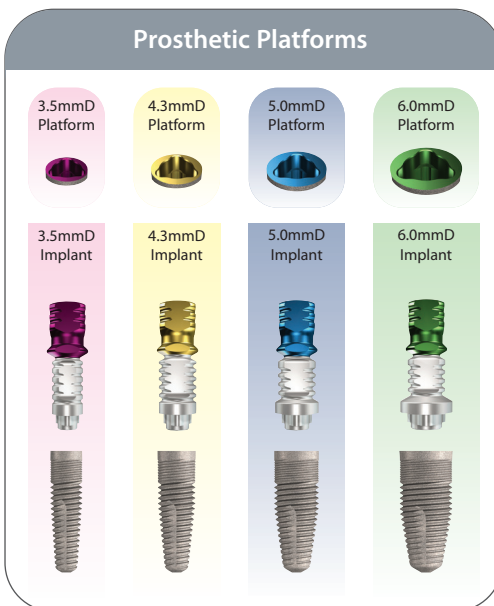
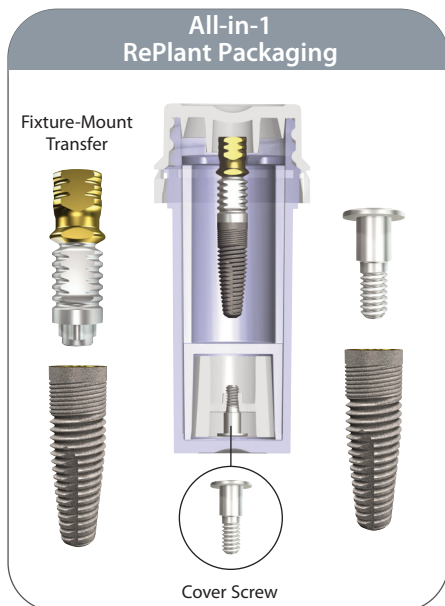
Tri-lobe System and prosthetic options



RePlant Implant

Compatible surgically and prosthetically with Nobel Biocare

- **Connection:** Internal color-coded Tri-Lobe for NobelReplace™ Abutments
- **Surface:** SBM (Soluble Blast Media)
- **Surgical Instruments:** RePlant surgical kit
- **Implant Packaging:** Includes cover screw, transfer and titanium temporary abutment
- **Implant Lengths:** 8/10/11.5/13/16mm



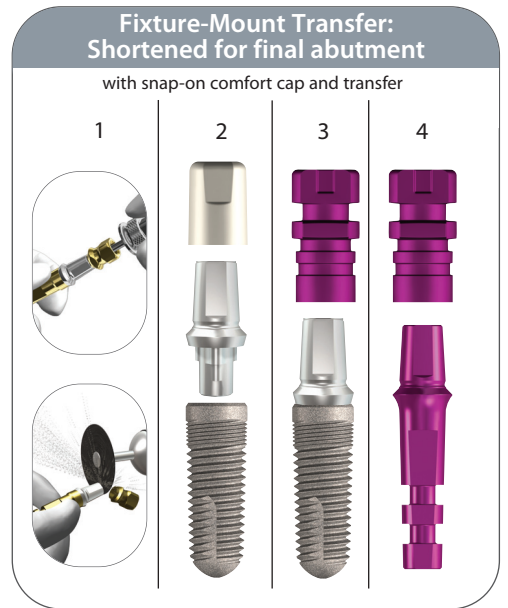
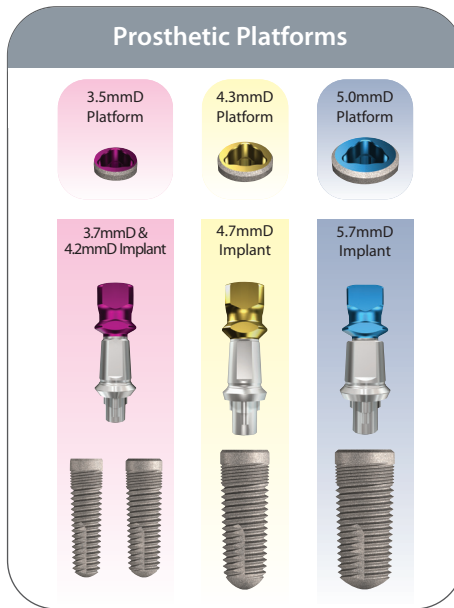
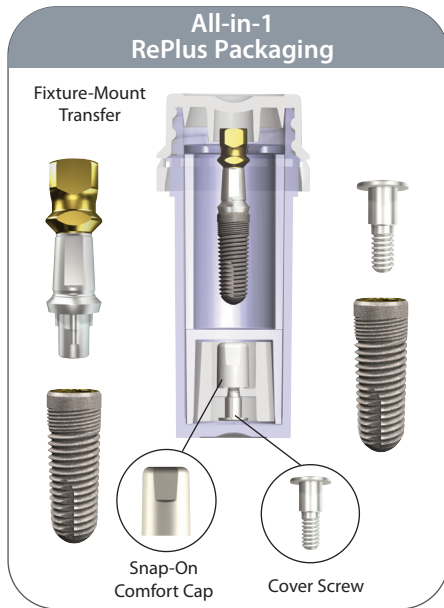


Tri-lobe System

RePlus Implant

Compatible prosthetically with Nobel Biocare

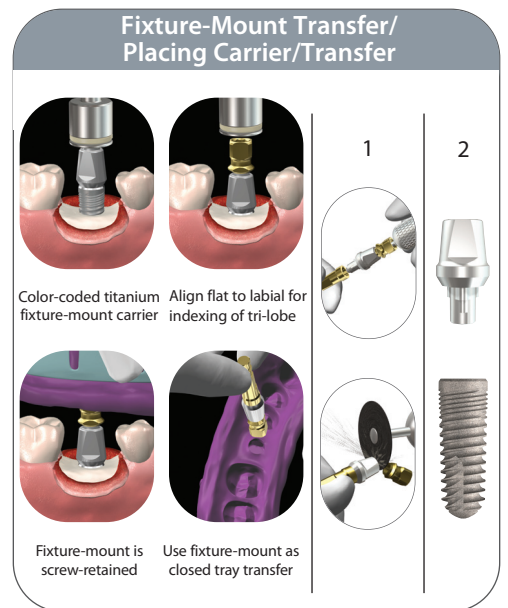
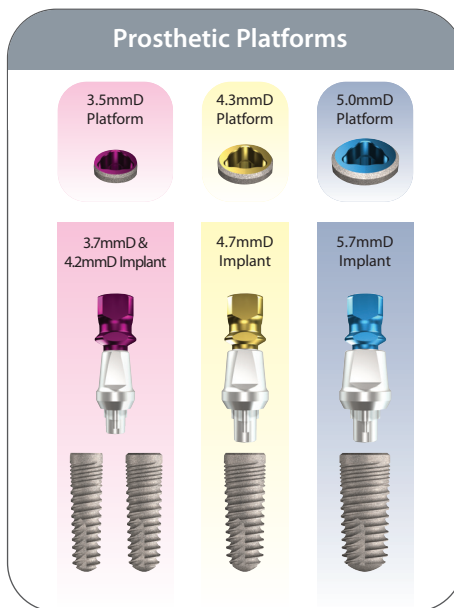
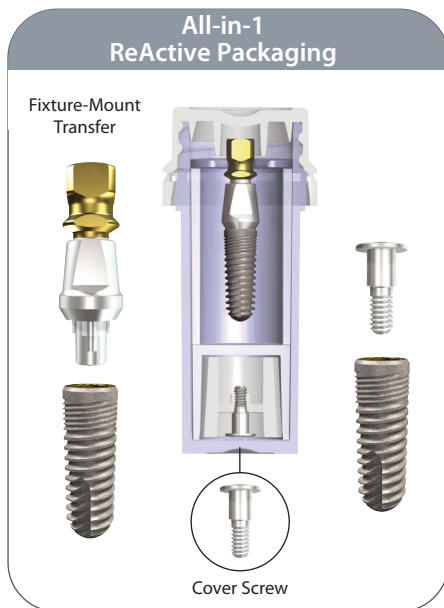
- **Connection:** Internal color-coded Tri-Lobe for NobelReplace™ Abutments
- **Surface:** SBM (Soluble Blast Media) and HA coating
- **Surgical Instruments:** Spectra-System surgical kit
- **Implant Packaging:** Includes cover screw, comfort cap, transfer and titanium abutment
- **Implant Lengths:** 8/10/11.5/13/16mm



ReActive Implant

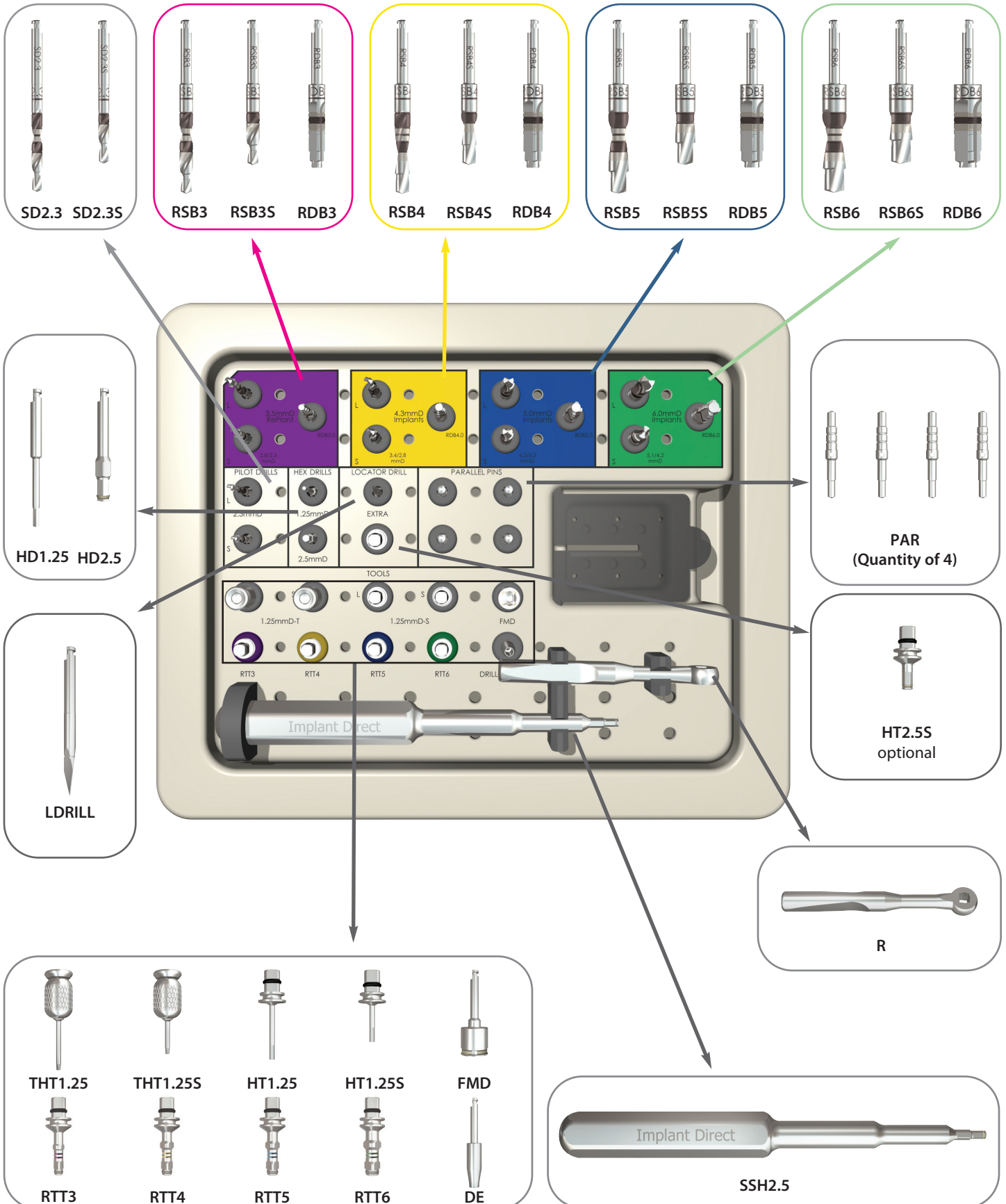
Compatible prosthetically with Nobel Biocare

- **Connection:** Internal color-coded Tri-Lobe for NobelReplace™ Abutments
- **Surface:** SBM (Soluble Blast Media) and HA coating
- **Surgical Instruments:** Spectra-System surgical kit
- **Implant Packaging:** Includes cover screw, transfer and titanium abutment
- **Implant Lengths:** 8/10/11.5/13/16mm





Surgical Tray for RePlant System





Drill Sequence for RePlant System

3.5mmD Straight / Tapered Implant



SD2.3
2.3/2.0mmD

Soft Bone Final



RSB3
2.8/2.3mmD

Dense Bone Final



RDB3
3.2mmD

4.3mmD Straight / Tapered Implant



SD2.3
2.3/2.0mmD

Optional



RSB3
2.8/2.3mmD

Soft Bone Final



RSB4
3.4/2.8mmD

Dense Bone Final



RDB4
4.0mmD

5.0mmD Straight / Tapered Implant



SD2.3
2.3/2.0mmD

Optional



RSB3
2.8/2.3mmD



RSB4
3.4/2.8mmD

Soft Bone Final



RSB5
4.2/3.3mmD

Dense Bone Final



RDB5
4.7mmD

6.0mmD Straight / Tapered Implant



SD2.3
2.3/2.0mmD

Optional



RSB3
2.8/2.3mmD



RSB4
3.4/2.8mmD



RSB5
4.2/3.3mmD

Soft Bone Final



RSB6
5.1/4.2mmD

Dense Bone Final



RDB6
5.7mmD



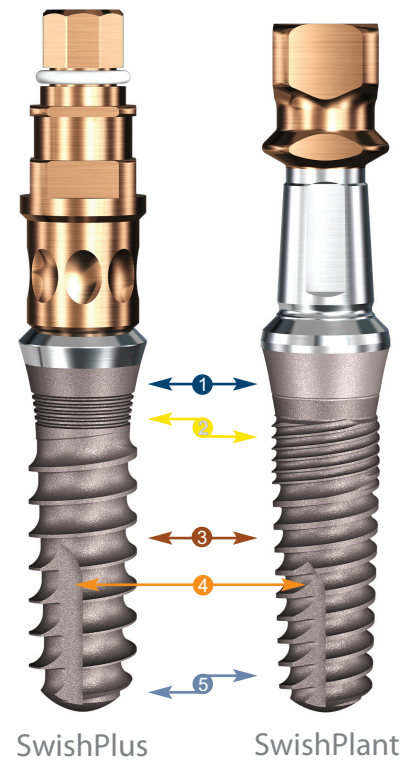
Swish System and prosthetic options

SwishPlus

- 1 2mm neck half textured for tissue-level or esthetic placement
- 2 Micro-grooves for improved tissue attachment & reduced stress¹
- 3 Progressively-deeper single-lead threads for increased surface area & complete surgical compatibility¹
- 4 Self-tapping groove for increased initial stability
- 5 Tapered apical end to initiate self-tapping

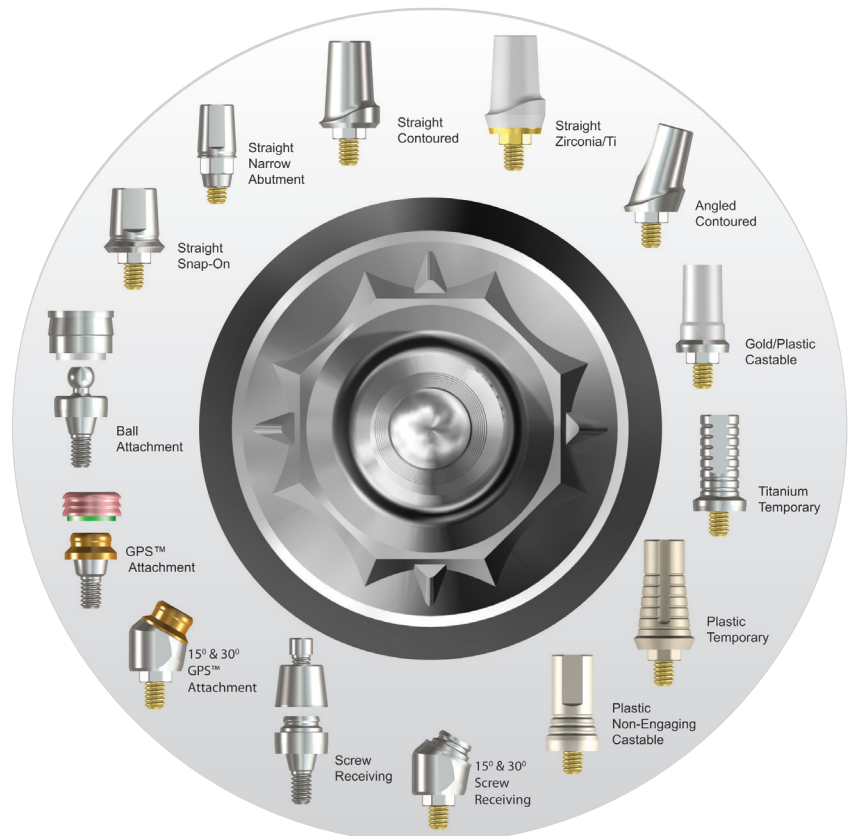
SwishPlant

- 1 2mm neck lightly textured for bone- or tissue-level placement
- 2 Micro-threads for improved tissue attachment, reduced stress & increased stability
- 3 Progressively-deeper double-lead threads for increased surface area & faster insertion
- 4 Self-tapping groove for increased initial stability
- 5 Tapered body for soft bone expansion



SwishPlus

SwishPlant



¹System Variation: 3.3mmD & 5.7mmD SwishPlus are tapered; 3.3mmD also has SwishPlant threads.

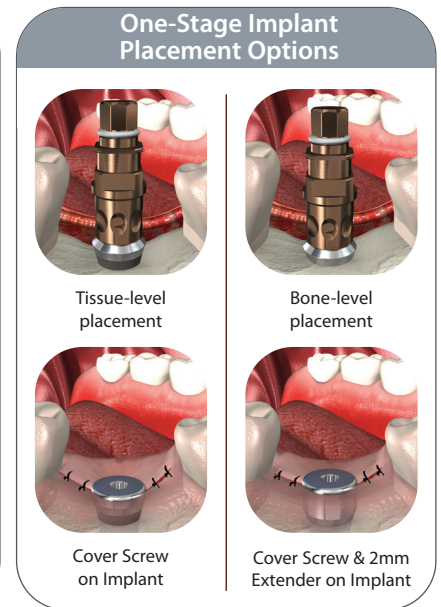
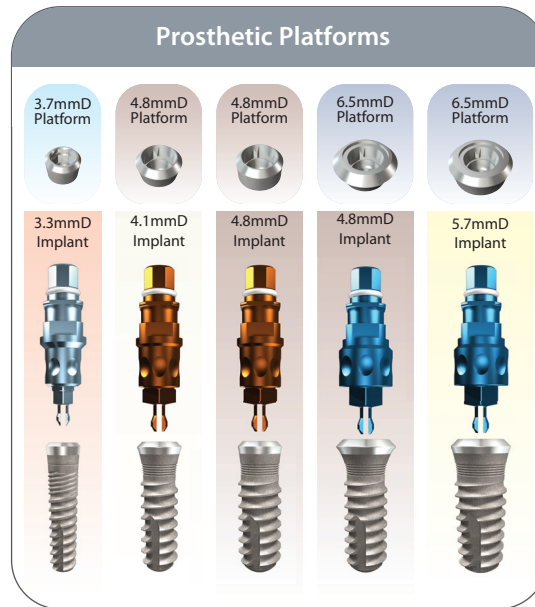
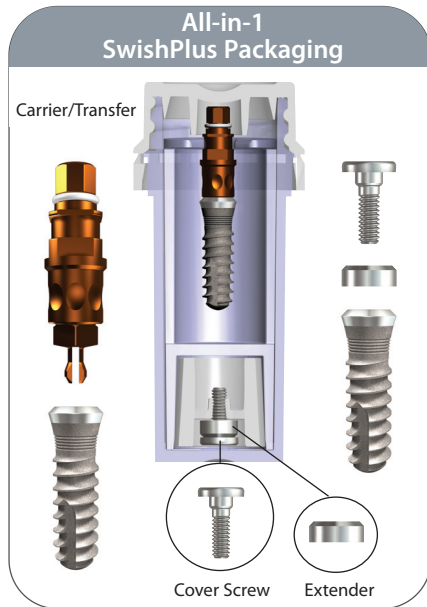


Swish System

SwishPlus Implant

Compatible surgically and prosthetically with Straumann

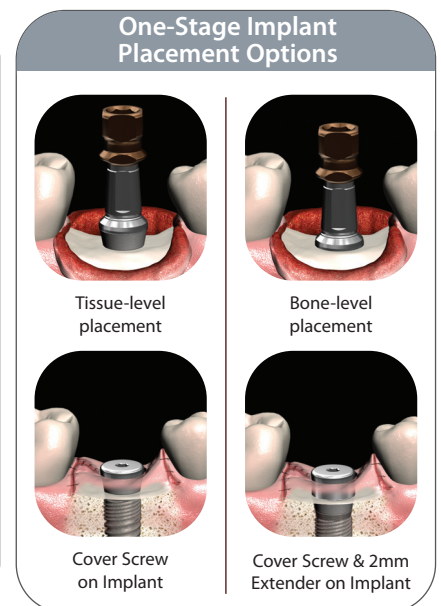
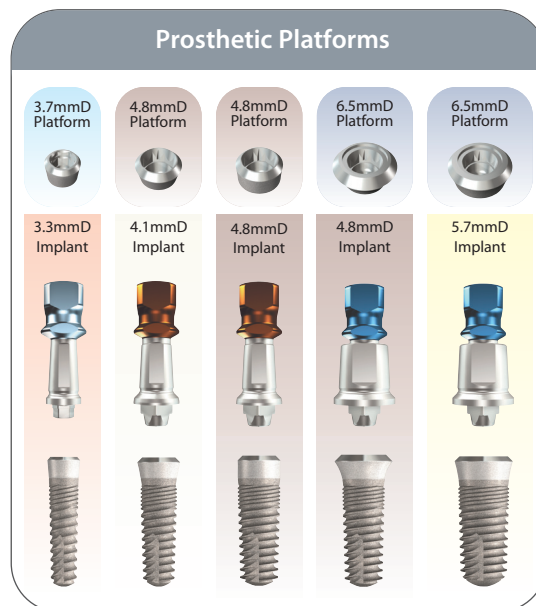
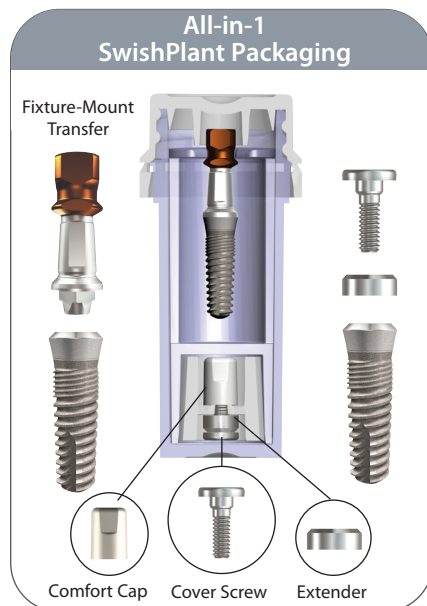
- **Connection:** Internal octagon (Narrow diameter implant has double internal hex connection)
- **Surface:** SBM (Soluble Blast Media)
- **Surgical Instruments:** Swish surgical kit or Straumann System*
- **Implant Packaging:** Includes cover screw, 2mm healing collar and carrier
- **Implant Lengths:** 6/8/10/12/14/16mm



SwishPlant Implant

Compatible surgically and prosthetically with Straumann

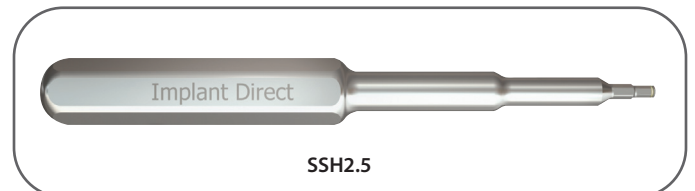
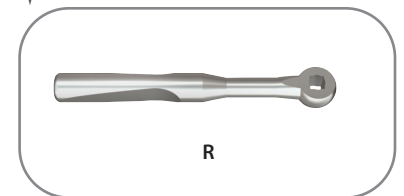
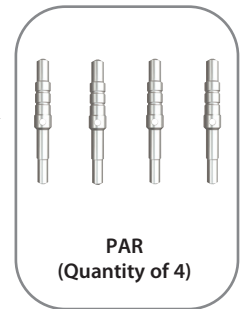
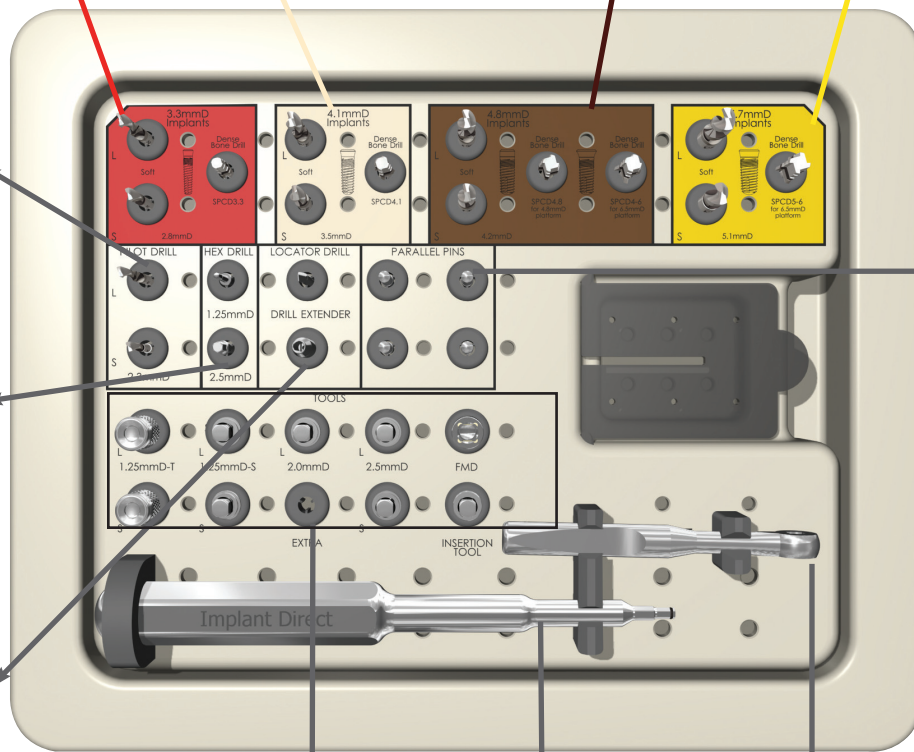
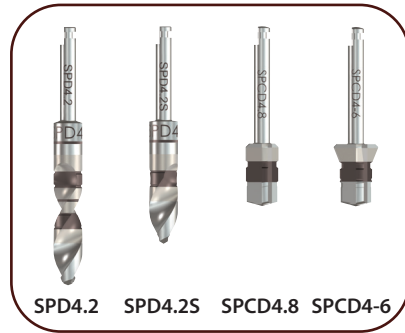
- **Connection:** Internal octagon (Narrow diameter implant has double internal hex connection)
- **Surface:** Dual texture SBM (Soluble Blast Media)
- **Surgical Instruments:** Swish surgical kit or Straumann System*
- **Implant Packaging:** Includes cover screw, 2mm healing collar, comfort cap, transfer and titanium abutment
- **Implant Lengths:** 6/8/10/12/14/16mm



*Excludes 3.3mmD and 5.7mmD
Require crestal bone drills



Surgical Tray for Swish System

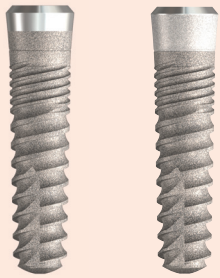




Drill Sequence for Swish System

3.3mmD Straight / Tapered Implant

3.3/3.7



2.3mmD Drill



SOFT BONE
3.3mmD Implant

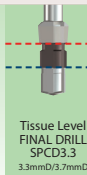
DENSE BONE
3.3mmD Implant



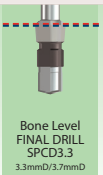
SPD2.8

Use SPD2.8 Drill as final step for Tissue-level or Bone-level placement

Crestal bone in Maxilla will expand without countersink



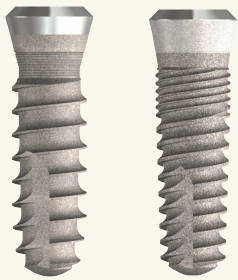
Tissue Level FINAL DRILL SPCD3.3 3.3mmD/3.7mmD



Bone Level FINAL DRILL SPCD3.3 3.3mmD/3.7mmD

4.1mmD Straight / Tapered Implant

4.1/4.8



2.3mmD Drill

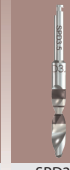


SOFT BONE
4.1mmD Implant

DENSE BONE
4.1mmD Implant



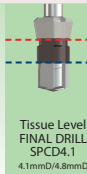
SPD2.8



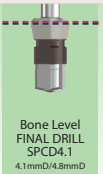
SPD3.5

Use SPD3.5 Drill as final step for Tissue-level or Bone-level placement

Crestal bone in Maxilla will expand without countersink



Tissue Level FINAL DRILL SPCD4.1 4.1mmD/4.8mmD

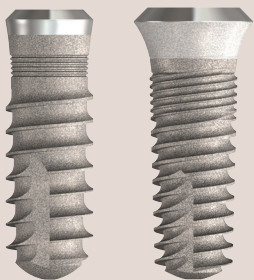


Bone Level FINAL DRILL SPCD4.1 4.1mmD/4.8mmD

4.8mmD Straight / Tapered Implant

4.8/4.8

4.8/6.5



2.3mmD Drill



SOFT BONE
4.8mmD Implant

DENSE BONE
4.8mmD Implant



SPD2.8



SPD3.5



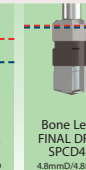
SPD4.2

Use SPD4.2 Drill as final step for Tissue-level or Bone-level placement

Crestal bone in Maxilla will expand without countersink



Tissue Level FINAL DRILL SPCD4.8 4.8mmD/4.8mmD



Bone Level FINAL DRILL SPCD4.8 4.8mmD/4.8mmD



Tissue Level FINAL DRILL SPCD4-6 4.8mmD/6.5mmD



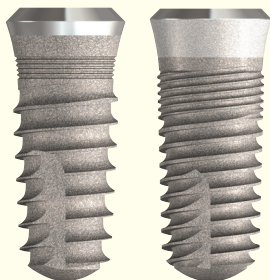
Bone Level FINAL DRILL SPCD4-6 4.8mmD/6.5mmD

Use SPD4.2 Drill as final step for Tissue-level placement.

Crestal bone in Maxilla will partially expand to allow 1mm subcrestal seating of neck.

5.7mmD Straight / Tapered Implant

5.7/6.5



2.3mmD Drill



SOFT BONE
5.7mmD Implant

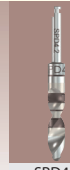
DENSE BONE
5.7mmD Implant



SPD2.8



SPD3.5



SPD4.2



SPD5.1

Use SPD5.1 Drill as final step for Tissue-level or Bone-level placement

Crestal bone in Maxilla will expand without countersink



Tissue Level FINAL DRILL SPCD5-6 5.7mmD/6.5mmD



Bone Level FINAL DRILL SPCD5-6 5.7mmD/6.5mmD



Tissue Level FINAL DRILL SPCD5-6 5.7mmD/6.5mmD



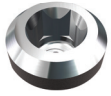
Bone Level FINAL DRILL SPCD5-6 5.7mmD/6.5mmD

Note: Tissue-level placement will differ between **SwishPlant** & **SwishPlus** with the exception of the 6mmL SwishPlant which follows the SwishPlus tissue-level protocol. Bone-level placement is the same for both **SwishPlant** & **SwishPlus**.

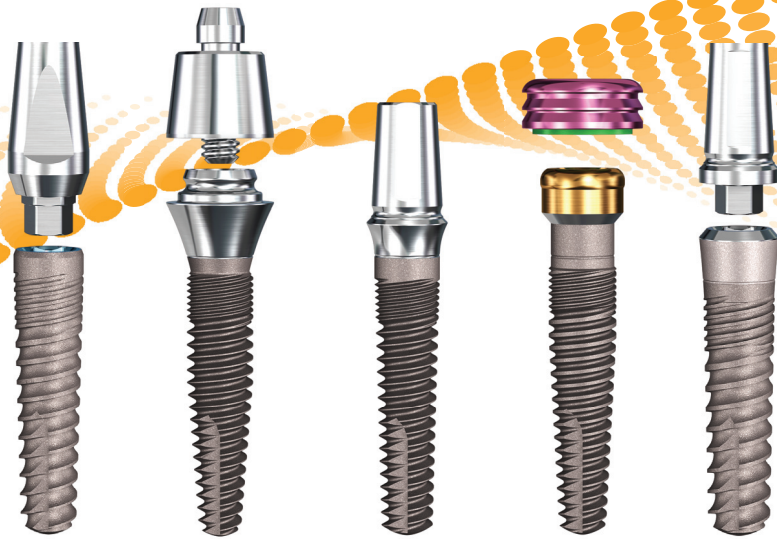
Transforming the Implant Industry

Innovative Designs, Highest Quality, Broadest Product Line, Lowest Prices, Online Ordering, Technical Support and All-in-1 Packaging.

Narrow One- and Two-Piece Implants



ScrewPlant®
Internal Hex
Connection



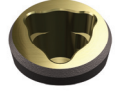
Legacy3
3.2mmD

ScrewIndirect®
3.0mmD

ScrewDirect®
3.0mmD

GoDirect™
3.0mmD

SwishPlant
3.3mmD



ReActive®
Internal Tri-Lobe
Connection



Legacy™3
Original Conical
Connection



SwishPlus™
Internal Octagon
Connection

Implant Prosthetics



*60-70% less than other implant companies based on published US list prices

USA 1-888-649-6425

EUROPE 00800-4030-4030

CANADA 1-604-730-1337

ISRAEL 972-3-6099951

