

EyeSpecial C-II

The camera, designed exclusively for dentistry



Dental shooting for

Dental photography takes a whole new meaning with SHOFU's EyeSpecial C-II, the smart digital camera designed exclusively for dentistry. The EyeSpecial C-II, with 12-megapixels sensor and 8 pre-set dental shooting modes, has applications ranging from routine intra-oral photography, dental / orthodontic case presentations to in-lab use by dental technicians. All these dental photography modes do not require any customized settings.



Convenient and durable

Large 3.5 inch LCD touchscreen for users to view, scroll through images and select preferred options effortlessly.

Compatible with Wi-Fi SD card for instant image transfer to computer, tablet or smartphone to facilitate immediate case discussion and treatment planning.

Durable, scratch resistant frame that also exhibits water and chemical resistance, for effective infection control.

Easy illustration of magnification indicator allows selection of appropriate range / ratio while auto cropping function crops image to preferred ratio even when shooting distance is not optimal.

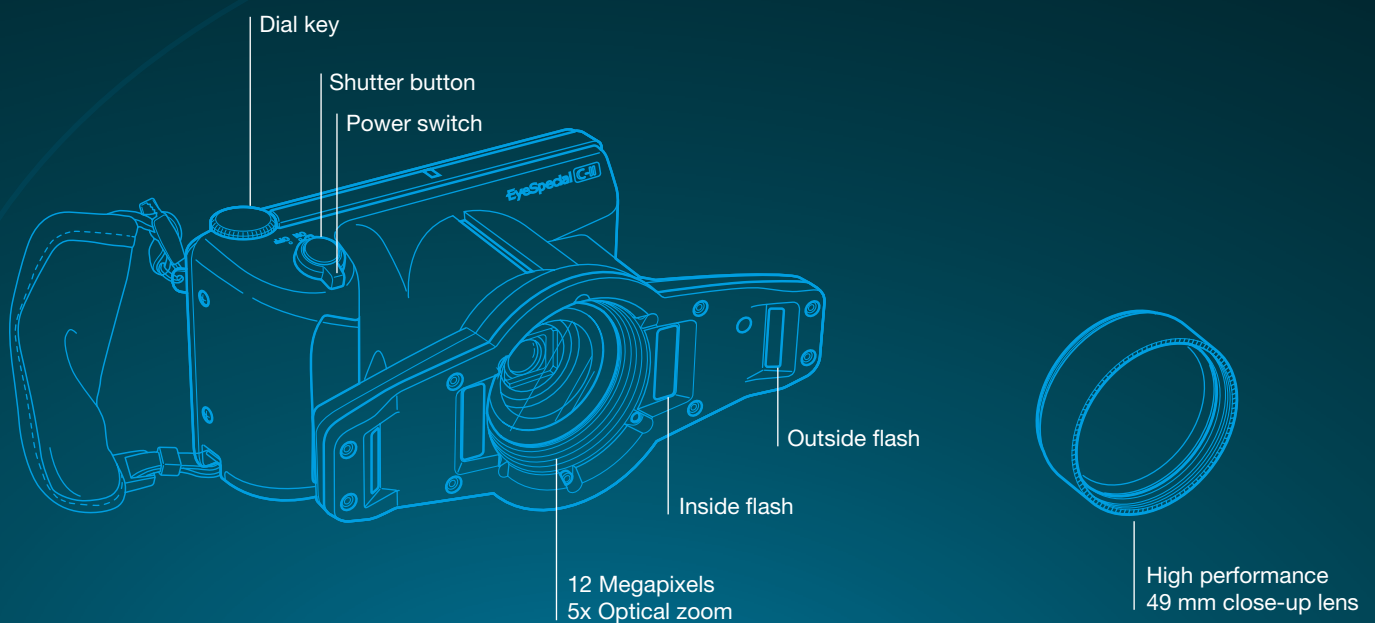
Patient ID management function to register patient specific unique ID.

PC and Mac compatible, free SureFile photo management software efficiently archives patient images.

anyone, anytime and

The ergonomically designed compact frame camera is smart, ultra-light, sleek and can be held with just one hand, freeing the other to hold the cheek retractor or mirror.

Unlike conventional digital dental cameras that are bulky and require additional flash / lens components, the EyeSpecial C-II allows you to effortlessly capture precise dental images anytime and anywhere you are.



Precise and consistent



Built in auto-focus, zoom (5x optical zoom) and anti-shake features help to capture precise images anytime while minimizing error.

Proprietary FlashMatic system with automatic flash settings for precise lighting control to capture images in true colour, thus assuring accurate representation of the dental shade.

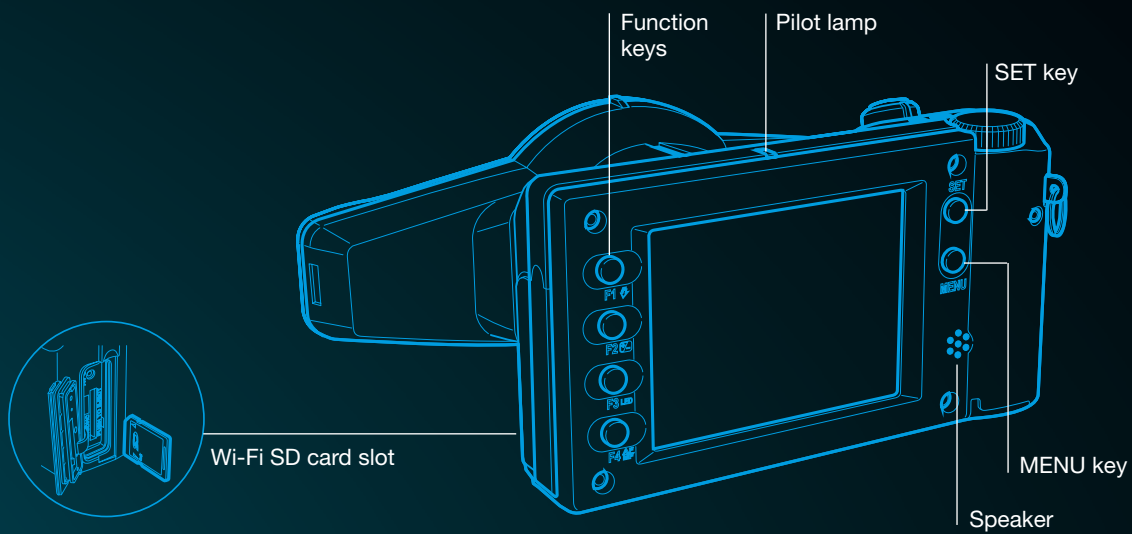


Additional draw option enables user to highlight area of interest in the image.

Infra-red, UV and anti-reflection filters in the camera boost image quality.

anywhere

The large LCD touchscreen with its intuitive display simplifies handling and eliminates the need for extensive training on dental photography.



Exceptional depth of field that is consistent with area of focus required in dental photography, to ensure sharpness and uniformity of the image.



Choose the magnification ratio / range by rotating dial key, icons above pre-set magnification ranges help determine and select range easily.

Shooting Modes



Standard

For standard intra-oral photography with true colour optimization.

Magnification range: 1/4 – 1.0



Surgery

For intra-oral photography from a distance, enabled with a pre-set increased zoom.

Magnification range: 1/4 – 1/2



Mirror

For intra-oral photography using a mirror. Automatic flash adjustment reduces reflection and the mirrored image is corrected by flipping the photo horizontally or vertically.

Magnification range: 1/4 – 1.0



Face

For shooting facial profile and / or upper torso, to complete patient data and case documentation.



Low glare

For photographing details of anterior teeth, working models and indirect restorations. Glare is minimized by automatic reduction of flash brightness and other internal settings.

Magnification range: 1/2 – 1.4



Whitening

For shade comparison pre- and post-whitening. Both flash and other internal settings are modified.

Magnification range: 1/2 – 1.4



Tele-macro

For extreme close-up anterior shots, by using the macro lens supplied with the camera.

Magnification range: 1.2 – 2.0



Isolate shade

For optimal shade matching, by automatically blocking out gingival shades to improve visual acuity of tooth colour. A convincing patient communication tool as all minor defects and imperfections on the tooth surface are visible.

Magnification range: 1/2 – 1.4

Specifications

Sensor	Kind	Primary colour filter, complementary colour filter
	Size	1/2.33 inch
	Total pixels	Approx. 12 million pixels (4,164 x 3,050)
	Number of effective pixels	Approx. 12 million pixels (4,000 x 3,000)
	Sensitivity	ISO 100 to 400
Lens	Focal length (35 mm equivalent)	50 - 175 mm
	Maximum aperture	3.4 - 8.6
	Zooming method	Optical electric zoom and electronic zoom
	LPF / IR cut filter	LPF (405 - 664 nm), anti reflection coat / IR cut filter, UV cut
AF	Method	Contrast auto focus
	AF area	Center-weighted / SPOT
	Focus mode	One (single) shot auto focus and manual focus by adjusting the distance
	AF-assist light	4 white LED ring lights
AE	Method	TTL (through the lens) metering / FlashMatic (patented) light control
	AE area	Center-weighted / SPOT / standard
	Shutter	Electronic and mechanical shutter
	Shutter speed	1/15 to 1/1,000 automatic change
Image data	Memory card	SD / SDHC card (max. 32 GB)
	Image format	JPEG
	SD card record format	DCF (standard / date)
	Image size	12M / 8M / 5M / 3.2M / 2M / VGA / 10.6M / 7.1M / 4.3M / 2.8M
	Image quality	Extra fine / fine / standard
	Digital zoom	From x1.05 [1/0.95] to x2 [1/0.5] 10 steps
	Information imprinting	Date + Shooting conditions + Patient information
Camera	Power supply	4 alkaline AA batteries / 4 rechargeable nickel-metal hydride batteries
	Power save function	1 / 2 / 3 / 5 min
	Dimensions	W 176 x D 99 x H 82 mm (accessories not included)
	Weight	465 g (without accessories)
	Water resistant	Complying with IPX4
	Chemical resistant	Ethanol disinfection

Order Information EyeSpecial C-II, PN 5130

Camera EyeSpecial C-II
Close-up lens (Kenko, 49 mm), lens cap
SDHC memory card (4 GB)
Video cable
Hand strap

SHOFU Gray card
4 AA batteries
User Manual
Quick Reference guide
Important Safety Instructions

